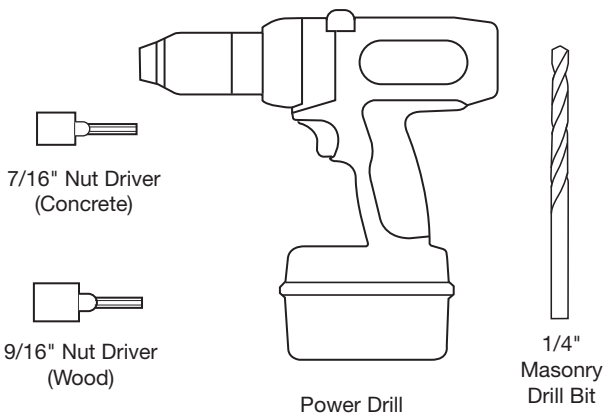
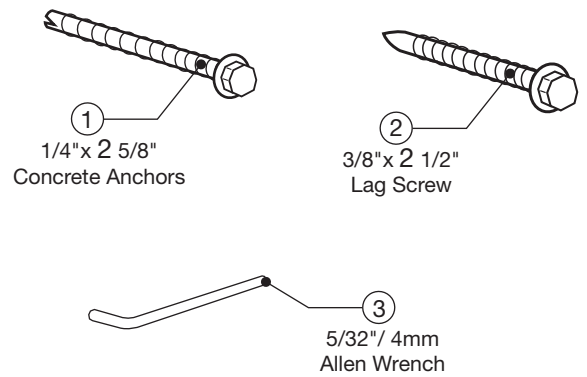


Parts Included

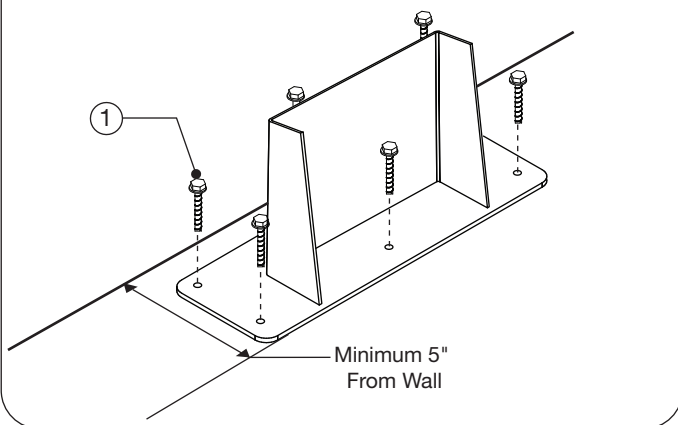


Tools Required



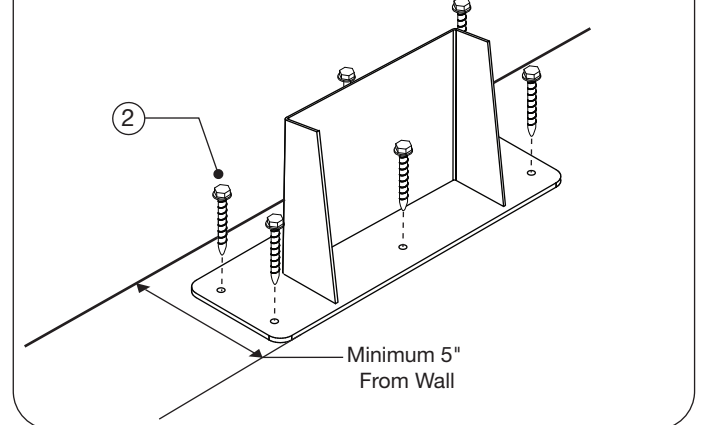
Hardware Included

### Concrete Floor

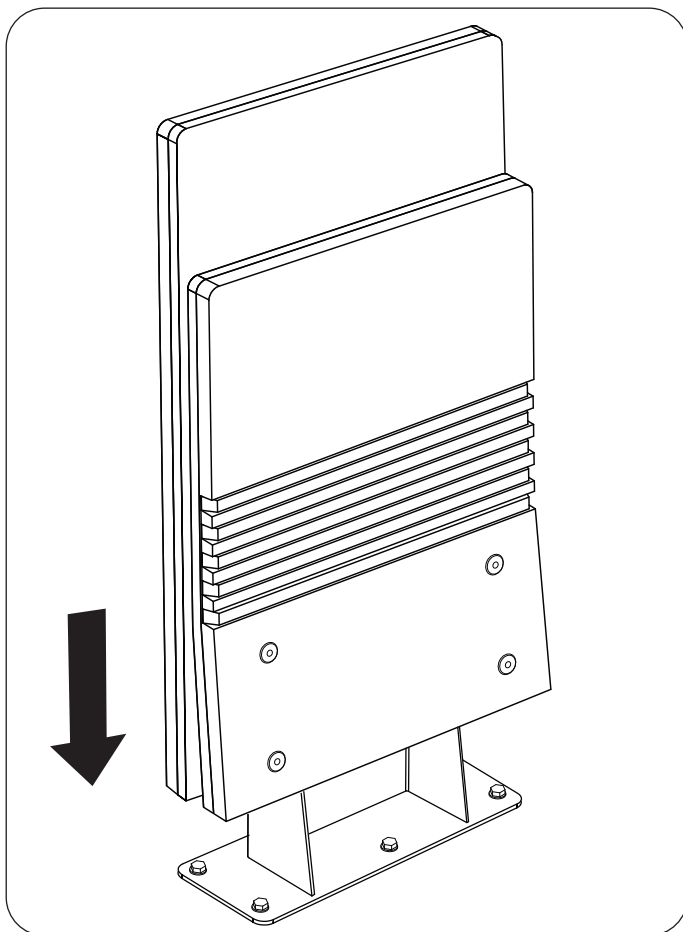


- Position base on floor and mark hole locations.
- Punch or cut carpet to avoid runs.
- Drill 1/4" holes approximately 3" deep.
- Use concrete anchors to attach base to floor.

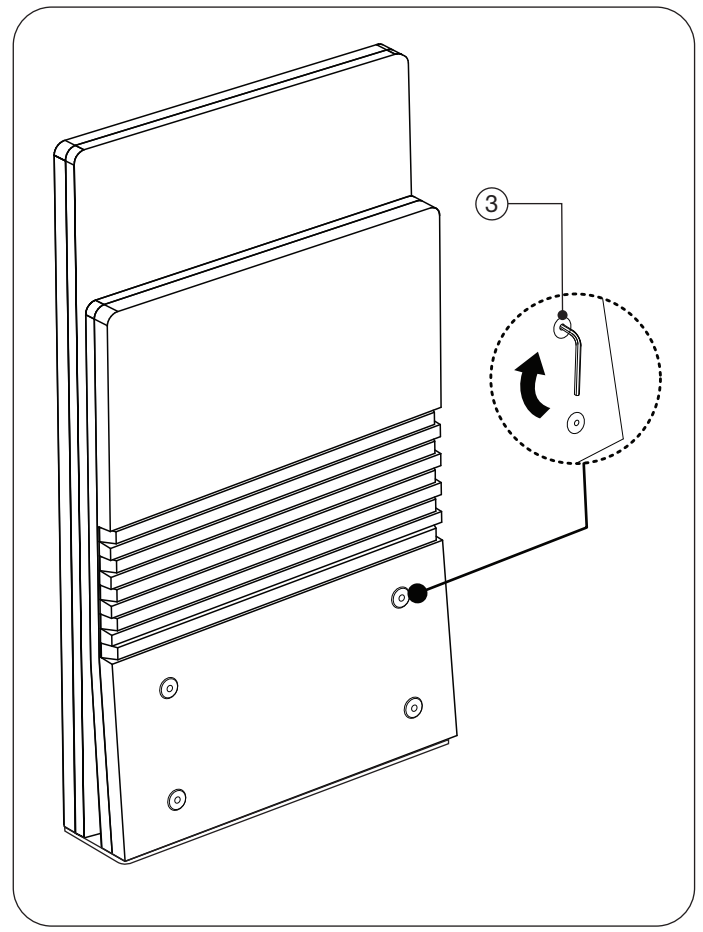
### Wood Floor



- Position base on floor and mark hole locations.
- Punch or cut carpet to avoid runs.
- Use lag screws to attach base to floor.



- Loosen bolts on lower front panel with supplied allen wrench.
- Slide JumpSeat over mounting base until contact is made with base plate.



- Tighten bolts with supplied allen wrench.