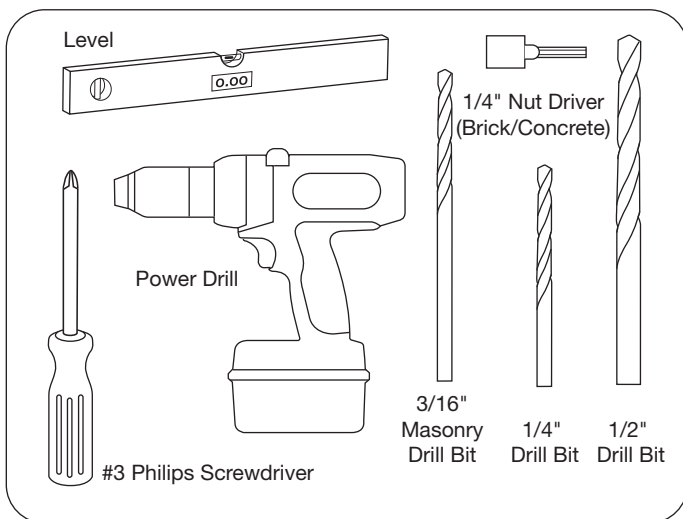


Seat

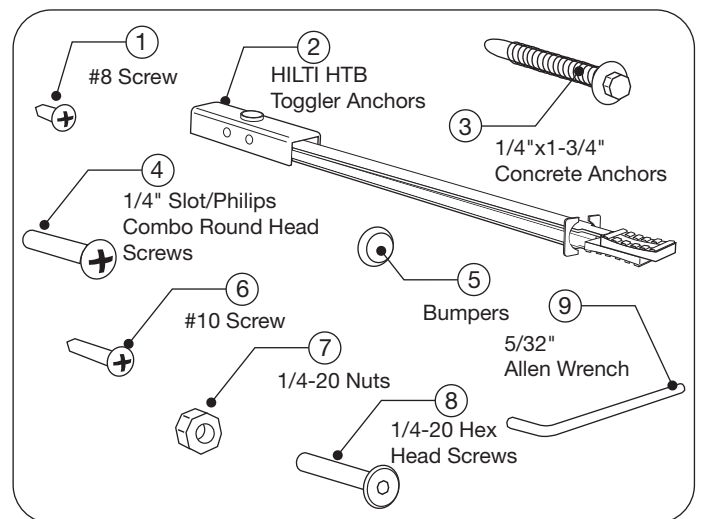
Back

Bracket

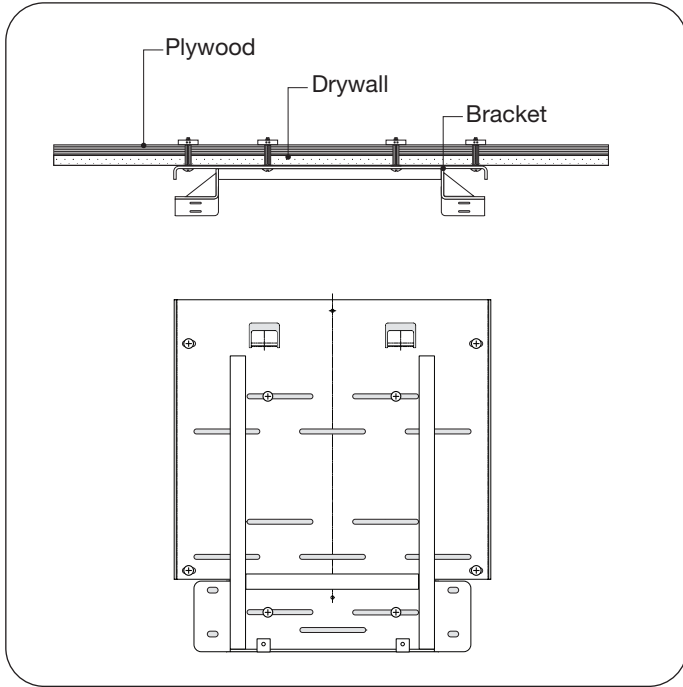
Parts Included



Tools Required

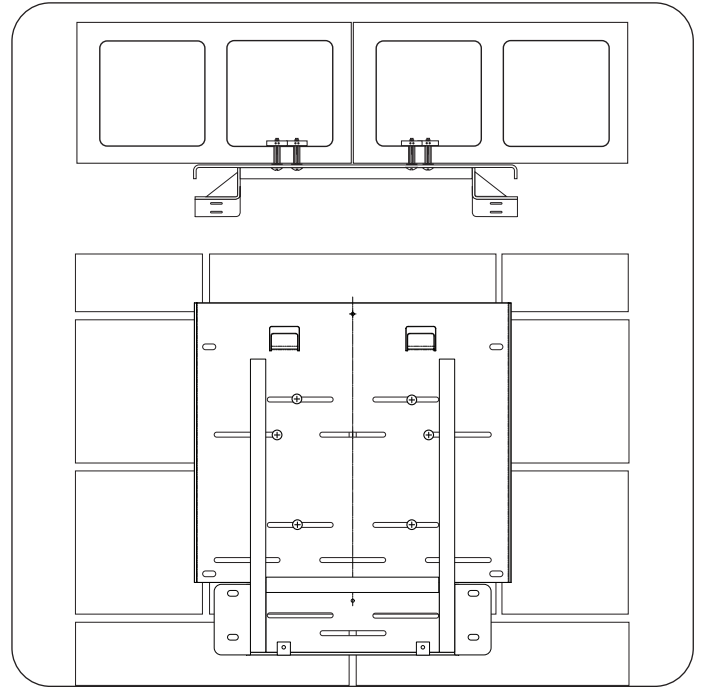


Hardware Included



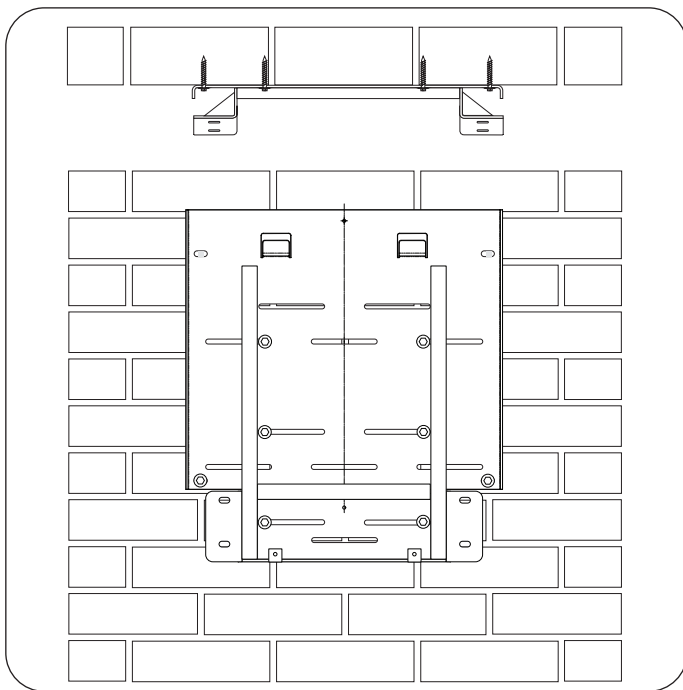
Mounting with Plywood Reinforced Drywall

It is recommended that a drywall installation be reinforced with 3/4" plywood. When installing the anchors, care should be taken to avoid the wall stud locations.



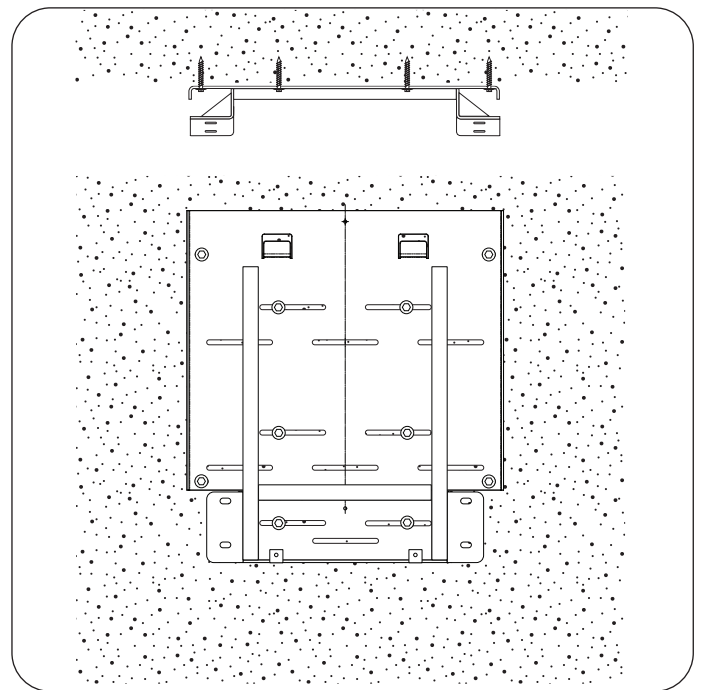
Mounting on Hollow Masonry

When mounting on cinder block masonry walls, care should be taken to ensure anchors fit within the hollow sections of the blocks in order to grab onto the internal block structure.



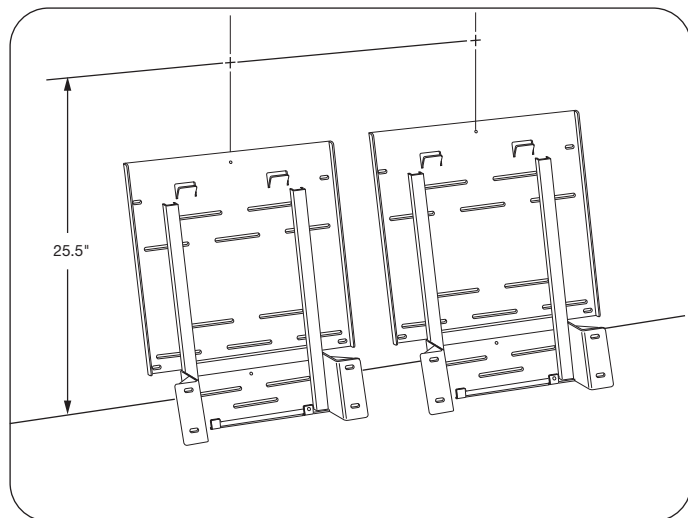
Mounting on Brick

When mounting on brick walls, care should be taken to ensure that the mounting holes are into the brick and NOT the mortar.

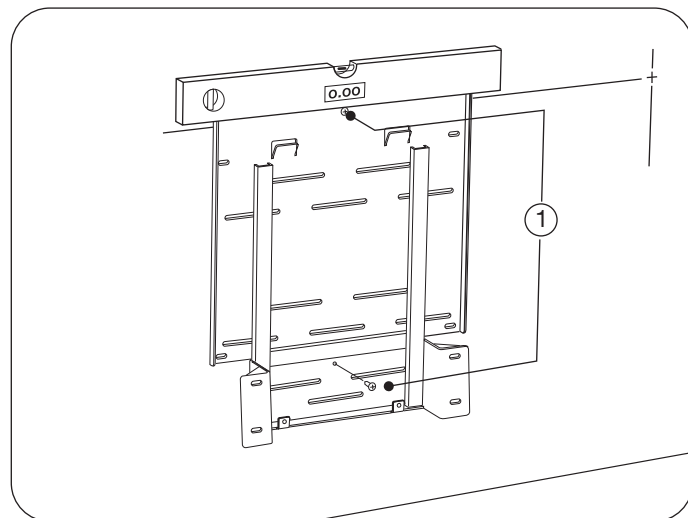


Mounting on Concrete Wall

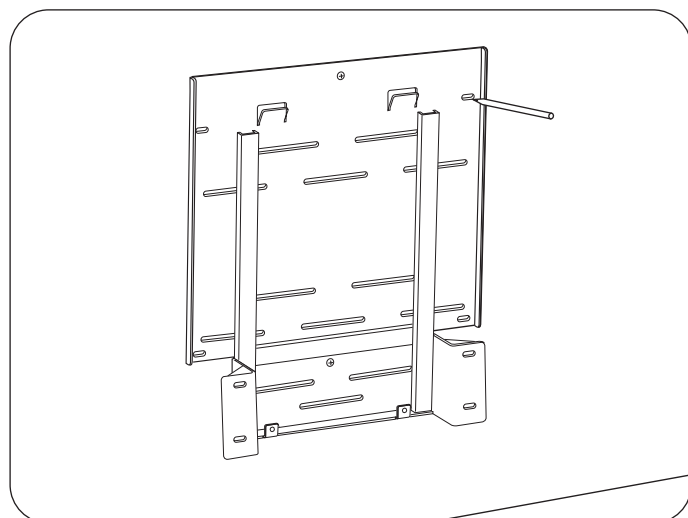
When mounting on concrete walls, use the supplied 3/8" masonry screws in the recommended locations.



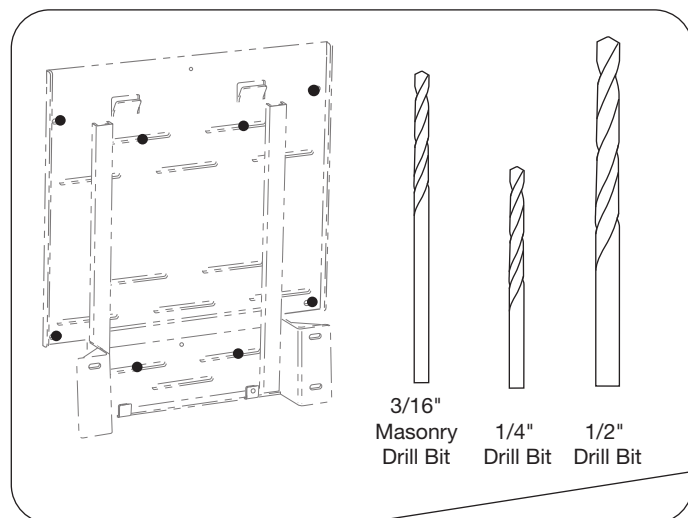
- Lean brackets against wall at a minimum distance of 22" apart.
- Use laser level to scribe a line at 25.5" above floor.
- Mark center points and continue.



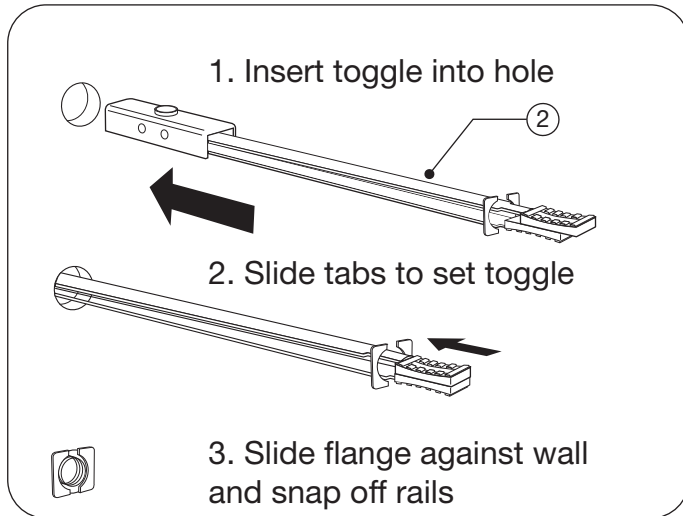
- Attach bracket to wall with #8 screw at the top center position.
- Level bracket.
- Install center position screw at bottom.



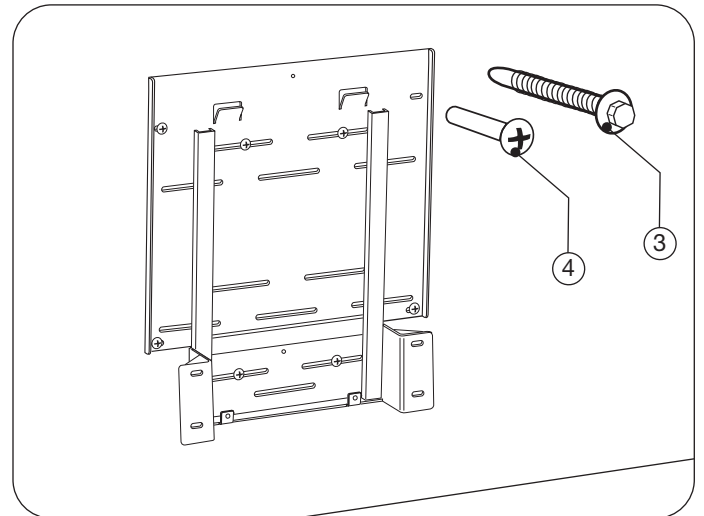
- Mark pilot hole locations



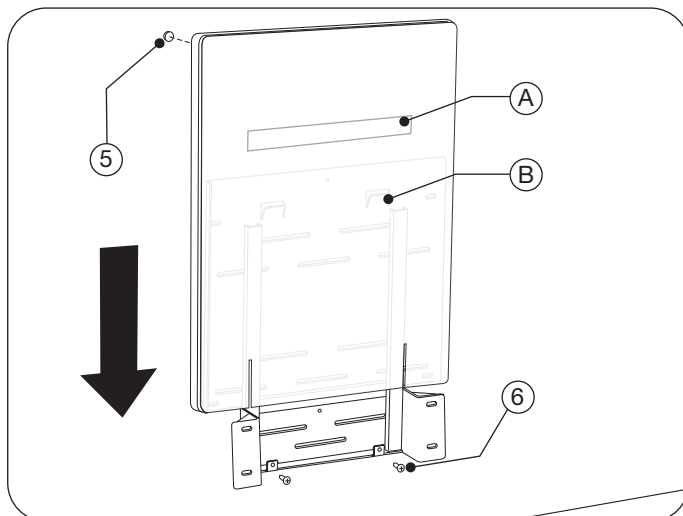
- Remove bracket from wall.
- For brick or concrete walls, drill 3/16" holes with the masonry drill bit provided.
- For drywall or cinder block walls, drill 1/4" pilot holes followed by 1/2" holes for toggle anchor insertion.



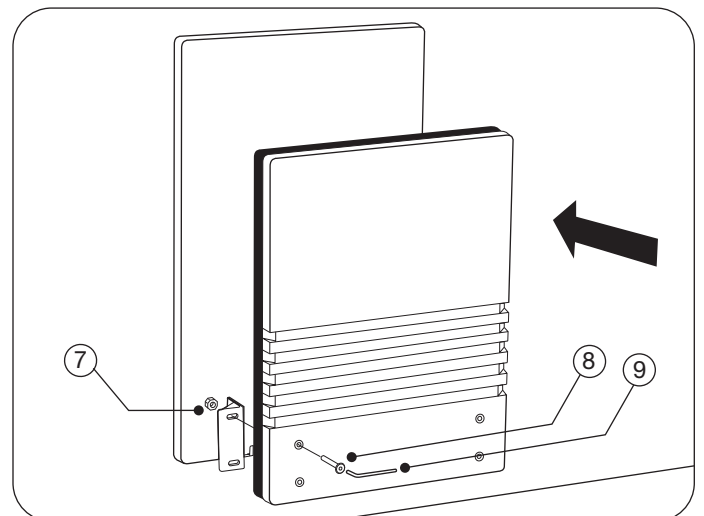
- Installing the toggle anchors for drywall or cinder block walls.



- Mount bracket with 1/4" bolts for drywall or cinder block walls.
- For brick or concrete walls, use 1/4" concrete anchors.



- Attach bumpers to the top rear corners of the back panel.
- Slide the back panel down, take care to engage the plate (A) on the rear of the back panel with the tangs (B) on the face of the wall bracket..
- Fasten the back panel at the bottom with the #10 screws.



- Attach seat with 1/4-20 nuts and bolts, tighten with allen wrench.